

Afterroom Dining Chair, 4 Legs



Chair

Furniture—Product Sheet
menu.as

by Afterroom Studio



Afterroom Dining Chair, 4 Legs



Product Type

Chair

Environment

Indoor

Dimensions (cm/ in)

H: 77 cm / 30,3"

SH: 46 cm / 18,1"

W: 44 cm / 17,3"

D: 53 cm / 20,9"

Colours

Black

White

According to Upholstery

The first chair ever to be designed for Menu, the Afterroom Chair has been stripped back of any unnecessary components to reveal the essential functions of a chair in its most simplistic form. The Afterroom Chair pays homage to Bauhaus and functionalism with a design that combines minimalistic clean lines with good quality materials to create an aesthetically stunning piece of design, without in any way compromising comfort.

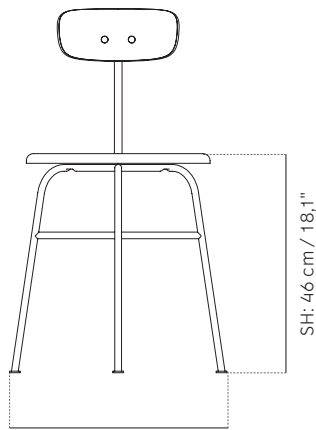
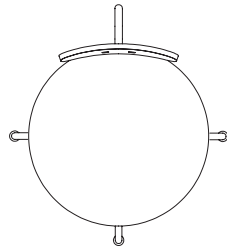
Following the success of the original chair, the series now features two additional sizes—Bar and Counter Chairs—with new upholstered finishes using the finest Aniline leather and Kvadrat textiles, providing further luxury and comfort. Using the same innovative and simple concept, new additions of the Afterroom Bar, Counter and Dining Chairs come with a fourth leg, providing additional support and stability.

About the Designer

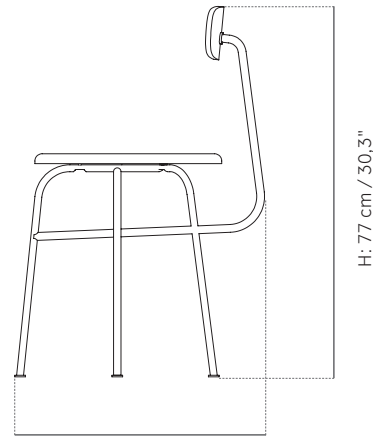
Afterroom is a Stockholm-based design studio, respecting wear and tear and the passage of time. Founded and directed by Hung-Ming Chen and Chen-Yen Wei, the studio's mission is simply to create beautiful products which will increase in value with the passage of time—design with which one can grow old. The inspiration derives from an intriguing interest in forms, senses, proportions, materials and cultures. The philosophy pivots around simplicity and honesty.

Afterroom Dining Chair, 4 Legs

Technical Specifications



W: 44 cm / 17,3"



D: 53 cm / 20,9"

Production Process

The Frame is made from Powder-Coated Bent Steel Tubes with Brass Weldings. The seat are Milled MDF with a painted finish.

Materials

Powder-coated Steel,
Painted MDF

Colour Code

Black (RAL 9005)
White (RAL 9016)

Weight item (kg/ lbs)

4,9 kg/ 11 lbs

Test

EN1022:2005, L1 and EN16139:2013, L1
Weight capacity tested up to 163.2 kg/ 360 lbs.

Certifications

N/A

Packaging Type

Brown Box

Packaging Measurement (H * W * D)

80 cm * 53 cm * 47 cm

Care Instructions

Should be cleaned according to the recommendations of the upholstery supplier.

Afterroom Dining Chair, 4 Legs



Black
8420530



White
8420630



Upholstered

- | | |
|--------------|--------------|
| PC1T 8420001 | PC1L 8420004 |
| PC2T 8420002 | PC2L 8420005 |
| PC3T 8420003 | PC3L 8420006 |
| | PC4L 8420007 |