

# Afterroom Dining Chair Plus



Chair

Furniture—Product Sheet  
[menu.as](http://menu.as)



by Afterroom Studio

# Afterroom Dining Chair Plus



## Product Type

Chair

## Environment

Indoor

## Dimensions (cm/ in)

H: 80 cm / 31,5"

SH: 46 cm / 18,1"

W: 45,5 cm / 17,9"

D: 51 cm / 20,1"

## Colours

Black / Walnut

Black / Walnut with Upholstery

Black with Upholstery

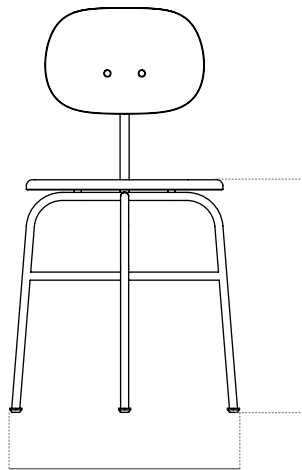
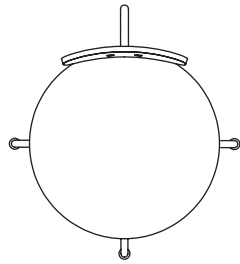
A beautifully minimal chair for everyday life, the Afterroom Chair takes inspiration from the philosophy of the Bauhaus school. A MENU bestseller since its launch in 2012, the chair is the work of Afterroom, a young Stockholm studio founded by rising-star designers Hung-Ming Chen and Chen-Yen Wei. The pair take the chair to another level with the introduction of Afterroom Chair Plus. Like the original, there is a reduction to essentials and stripping back of unnecessary components. The latest addition features a luxurious upholstered seat and backrest, and wider backrest. The result is a blissfully simple chair that embraces minimalism and clean lines with maximum comfort.

## About the Designer

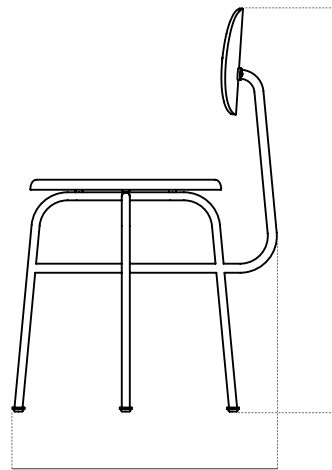
Afterroom is a Stockholm-based design studio, respecting wear and tear and the passage of time. Founded and directed by Hung-Ming Chen and Chen-Yen Wei, the studio's mission is simply to create beautiful products which will increase in value with the passage of time —design with which one can grow old. The inspiration derives from an intriguing interest in forms, senses, proportions, materials and cultures. The philosophy pivots around simplicity and honesty.

# Afteroom Dining Chair Plus

## Technical Specifications



W: 45,5 cm / 17,9"



D: 51 cm / 20,1"

### Production Process

The frame is made from powder-coated bent steel tubes with brass weldings. The seat are milled MDF with a painted finish. The back is also milled MDF with a painted finish or walnut veneer.

### Materials

Powder-coated Steel, Painted MDF, Walnut Veneer.

### Colour Code

Black (RAL 9005)

### Weight item (kg/ lbs)

Black/Walnut: 3,7 kg/ 8,2 lbs

Upholstered: 3,8 kg/ 8,4 lbs

### Test

EN1022:2005, L1 and EN16139:2013, L1  
Weight capacity tested up to 163.2 kg/ 360 lbs.

### Certifications

N/A

### Packaging Type

Brown Box

### Packaging Measurement (H \* W \* D)

80 cm \* 53 cm \* 47 cm

### Care Instructions

Should be cleaned according to the recommendations of the textile / leather supplier.

# Afterroom Dining Chair Plus



Black / Walnut with Upholstery  
PC1T 8440001    PC1L 8440004  
PC2T 8440002    PC2L 8440005  
PC3T 8440003    PC3L 8440006  
                          PC4L 8440007



Black / Walnut  
8440530



Upholstered  
PC1T 8450001    PC1L 8450004  
PC2T 8450002    PC2L 8450005  
PC3T 8450003    PC3L 8450006  
                          PC4L 8450007